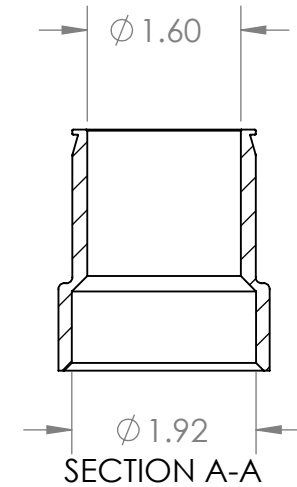
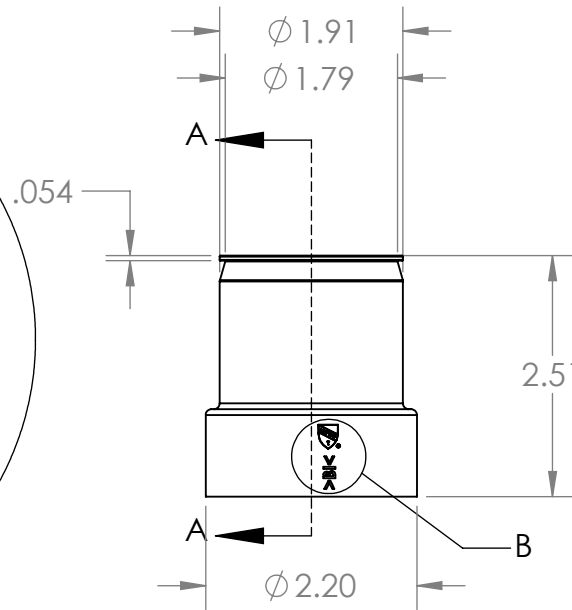


DETAIL B
SCALE 4 : 1



PROPRIETARY AND CONFIDENTIAL
THE INFORMATION CONTAINED IN THIS DRAWING IS THE SOLE PROPERTY OF BENTZER INC. ANY REPRODUCTION IN PART OR AS A WHOLE WITHOUT THE WRITTEN PERMISSION OF BENTZER INC. IS PROHIBITED.

		UNLESS OTHERWISE SPECIFIED:		NAME	DATE
		DIMENSIONS ARE IN INCHES	DRAWN	K.A.H	8-28-14
		TOLERANCES:	CHECKED		
		FRACTIONAL ±	ENG APPR.		
		ANGULAR: MACH ± BEND ±	MFG APPR.		
		TWO PLACE DECIMAL ±	Q.A.		
		THREE PLACE DECIMAL ±	COMMENTS:		
		INTERPRET GEOMETRIC TOLERANCING PER:	Material: ABS (Black)		
		MATERIAL			
		FINISH			
NEXT ASSY	USED ON	APPLICATION	DO NOT SCALE DRAWING		

Bentzer Inc.		
TITLE: BARBED VENT COUPLER		
SIZE A	DWG. NO. B11150B	REV
SCALE: 1:2	WEIGHT:	SHEET 1 OF 1