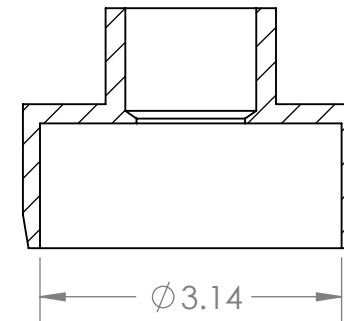
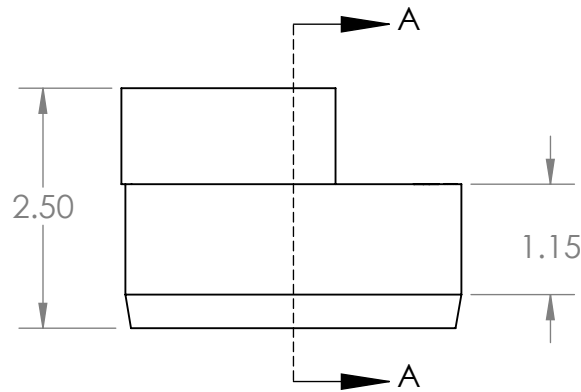


DETAIL B  
SCALE 4 : 1



SECTION A-A

**PROPRIETARY AND CONFIDENTIAL**  
THE INFORMATION CONTAINED IN THIS DRAWING IS THE SOLE PROPERTY OF BENTZER INC. ANY REPRODUCTION IN PART OR AS A WHOLE WITHOUT THE WRITTEN PERMISSION OF BENTZER INC. IS PROHIBITED.

		UNLESS OTHERWISE SPECIFIED:	NAME	DATE	<b>Bentzer Inc.</b>			
		DIMENSIONS ARE IN INCHES TOLERANCES: FRACTIONAL ± ANGULAR: MACH ± BEND ± TWO PLACE DECIMAL ± THREE PLACE DECIMAL ±	DRAWN	K.A.H			9-2-14	
		INTERPRET GEOMETRIC TOLERANCING PER:	CHECKED			TITLE:		
		MATERIAL	ENG APPR.			3" TO 1 1/2" REDUCER		
		FINISH	MFG APPR.					
NEXT ASSY	USED ON		Q.A.			SIZE	DWG. NO.	REV
			COMMENTS:	Material: ABS (Black)		<b>A</b>	B11320	
APPLICATION		DO NOT SCALE DRAWING				SCALE: 1:2	WEIGHT:	SHEET 1 OF 1