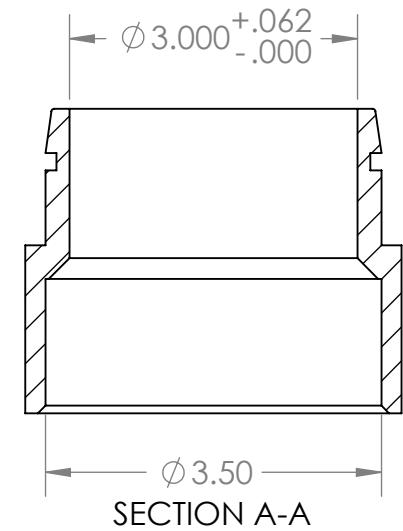
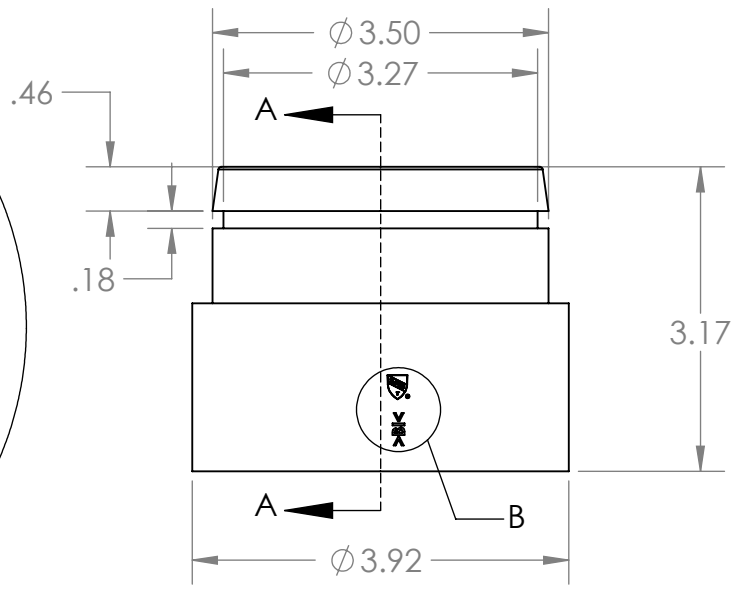


DETAIL B
SCALE 4 : 1



PROPRIETARY AND CONFIDENTIAL
THE INFORMATION CONTAINED IN THIS DRAWING IS THE SOLE PROPERTY OF BENTZER INC. ANY REPRODUCTION IN PART OR AS A WHOLE WITHOUT THE WRITTEN PERMISSION OF BENTZER INC. IS PROHIBITED.

		UNLESS OTHERWISE SPECIFIED:	NAME	DATE
		DIMENSIONS ARE IN INCHES	DRAWN	K.A.H
		TOLERANCES:	CHECKED	8-28-14
		FRACTIONAL ±	ENG APPR.	
		ANGULAR: MACH ± BEND ±	MFG APPR.	
		TWO PLACE DECIMAL ±	Q.A.	
		THREE PLACE DECIMAL ±	COMMENTS:	
		INTERPRET GEOMETRIC TOLERANCING PER:	Material: ABS (Black)	
		MATERIAL		
		FINISH		
NEXT ASSY	USED ON	APPLICATION	DO NOT SCALE DRAWING	

Bentzer Inc.		
TITLE: 3" HUB WITH O-RING GROOVE		
SIZE A	DWG. NO. B113HOR	REV
SCALE: 1:2	WEIGHT:	SHEET 1 OF 1

5

4

3

2

1